



PFO Occluder No COMPROMISE

Ordering information

Catalog number	Right atrial disc diameter Ø (mm)	Left atrial disc diameter Ø (mm)	Cocoon accessory set catalog number	Cocoon delivery cable catalog number
CPF18	18	18	CPF8F	CDC6F
CPF25	25	18	CPF8F	CDC6F
CPF2525	25	25	CPF8F	CDC6F
CPF3025	30	25	CPF8F	CDC6F
CPF30	30	30	CPF8F	CDC6F
CPF35	35	25	CPF9F	CDC6F

*Data on SMT file. R & D tests performed using 18/18 mm PFO Occluders for both devices. The test results are an average of the test performed three times.

**SVC : Superior Vena Cava

***PFO : Patent Foramen Ovale

††TTE : Trans Thoracic Echocardiogram

†Recapture and redeployment is possible only if delivery cable is securely connected to the disc

Caution: This product is intended for use by or under the direction of a physician. Prior to use, refer to the "Instructions for use" supplied with these devices for indications, contraindications, side effects, suggested procedure warnings and precautions. As part of our continuous product development policy, we reserve the right to change product specifications without prior notification. Information contained herein is for distribution outside the USA & Japan.

Check the regulatory status of the device before distribution in areas where CE marking is not the regulation in force. Tests performed by and data on file at Sahajanand Medical Technologies Limited (SMT). Illustrations are artist's representations only and should not be considered as engineering drawings or photographs. Photos on file at Sahajanand Medical Technologies Limited.

Cocoon PFO Occluder is manufactured by Vascular Innovations Co., Ltd, Thailand, a SMT group company. Cocoon is a trademark of Vascular Innovations Co., Ltd. Amplatzer PFO Occluder & Amplatzer Talisman PFO Occluder are trademarks of Abbott Group of companies. Occlutech PFO Occluder is a trademark of Occlutech International AB. Cera PFO Occluder & CeraFlex PFO Occluder are trademarks of Lifetech Scientific.

Cocoon range of occluders are currently not approved by USFDA and are not available for sale in USA.

Competitor information collected on 20th June 2023 from following sources

Abbott PFO Occluder & Abbott Amplatzer Talisman PFO Occluder: <https://manuals.sjm.com/Search-Form?re=North-America&cc=US&ln=EN&ct=professional&fam=86173cb-e36b-4f06-a58f-4b11fa263d&cat=71260c89-7cb8-475d-950b-0262191e7526&seg=dd28d64f-7d0b-4660-aa2c-da987bb7894c&qry=Amplatzer%20PFO%20occluder&pp=10>

Occlutech PFO Occluder: https://occlutech.com/files/brochure/Occlutech_PFO_Br.pdf

Cera PFO Occluder: <http://www.lifetechmed.com/en/product/p1/cera/385.aspx>

CeraFlex PFO Occluder: <http://www.lifetechmed.com/en/product/p1/ceraflex/e2%84%A2%20occluders/360.aspx>

Disclaimer: © 2023 Sahajanand Medical Technologies Limited - All rights reserved. Specifications are subject to modification, revision and improvement.

Registered Office: Sahajanand Medical Technologies Limited

'Sahajanand Estate', Wakharia Wadi, Near Dabhoh Char Rasta, Ved Road, Surat 395004, Gujarat, INDIA Tel.: +91 261 6112800 Fax: +91 261 6112801

• CIN: U33119G2001PLC040121 • www.smtpl.com

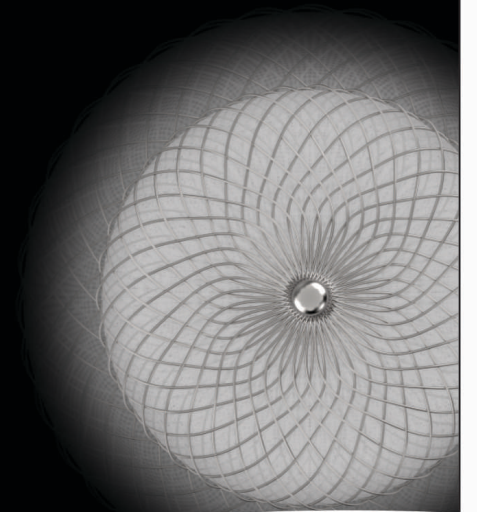


CPF/BRO/EN01 Rev.03



PFO Occluder

No COMPROMISE

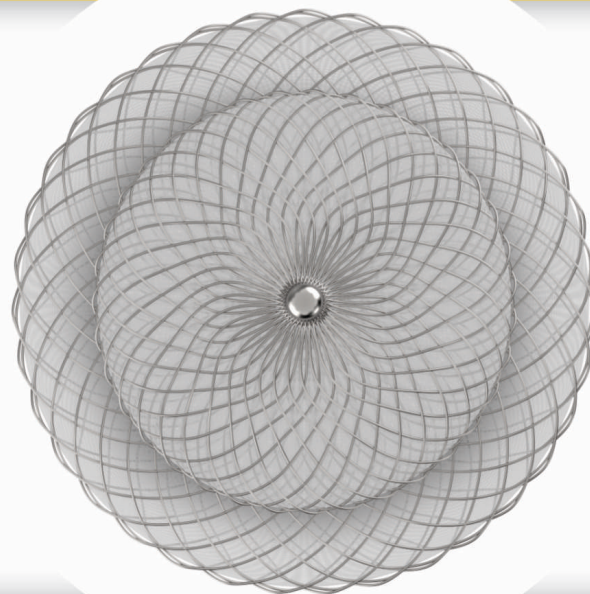




PFO Occluder
No COMPROMISE

Extensive size matrix so that there is no compromise
 6 SKUs
 (vs 4 SKUs of the competitor)

5 out of 6 occluders are 8F sheath compatible



Softness to protect
 2+ times softer at the rims

Designed to minimize nickel leaching
 Platinum coating



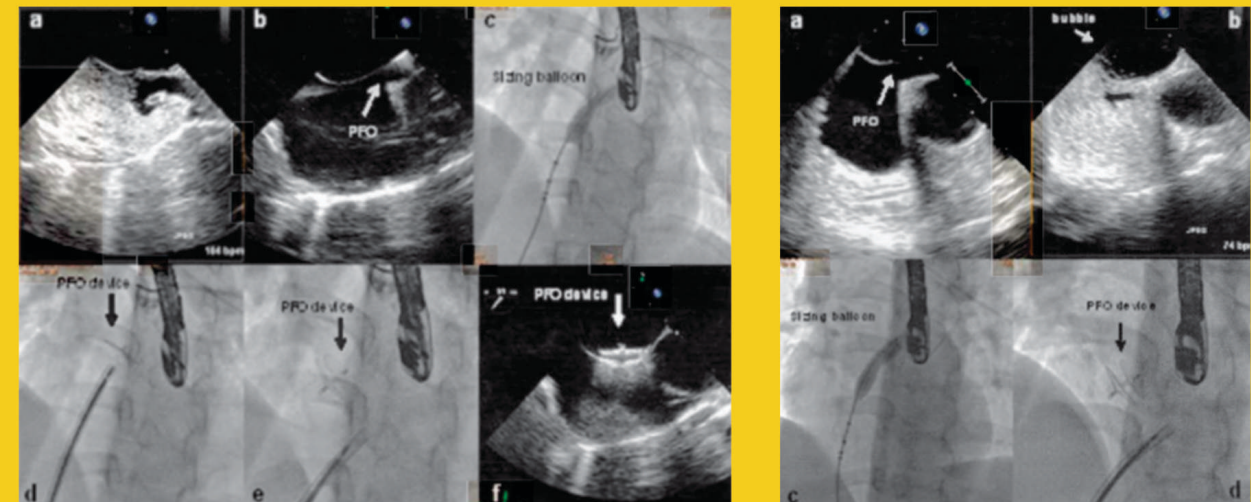
PFO Occluder
No COMPROMISE

Preclinical studies*



Images from preclinical studies of closure device depicting neoendothelialization. Pigs were sacrificed at 36 and 42 days

Clinical case*



a. Small PFO detected during agitated saline injection b. Catheter crossing the PFO and demonstrating the tunnel c. Sizing balloon showing the PFO tunnel d. and e. PFO device (arrow) position f. PFO device after implantation as demonstrated by TTE**

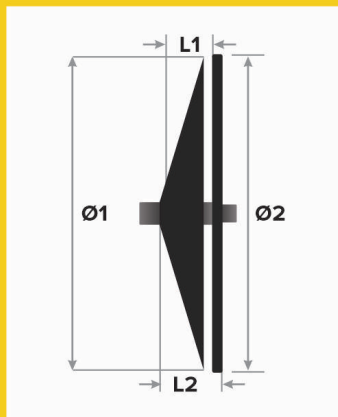
a. Demonstrating PFO by transesophageal echo-cardiography (arrow) b. Agitated saline injection filled in right atrium and left atrium (arrow) c. Sizing balloon used to evaluate PFO tunnel d. PFO device after detachment from cable



PFO Occluder No COMPROMISE

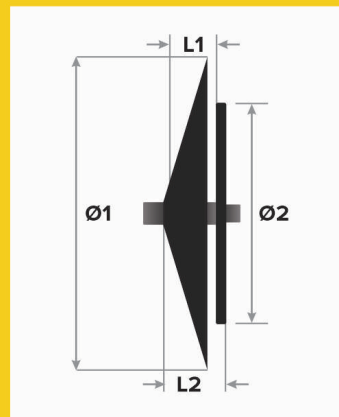
Device Description

- Self-expanding, self-centering double disc device with unique platinum coating
- Device is filled with polypropylene fabric to assist thrombogenicity
- Ability to recapture and redeploy*



CPF18, CPF2525, CPF30

Design:
 Right atrial disc diameter (Ø1)
 Left atrial disc diameter (Ø2)
 Waist length (L1)
 Total length (L2)



CPF25, CPF3025, CPF35

Technical specifications

Catalog number	Right atrial disc diameter (Ø1) (mm)	Left atrial disc diameter (Ø2) (mm)	Waist length (L1) (mm)	Total length (L2) (mm)	Sheath size (F)	Cable size (F)
CPF18	18	18	3	5	8	6
CPF25	25	18	3	5	8	6
CPF2525	25	25	3	5	8	6
CPF3025	30	25	3	5	8	6
CPF30	30	30	3	5	8	6
CPF35	35	25	3	5	9	6

Sizing recommendations

Distance from defect to aortic root or SVC** (consider shortest distance)	Suggested Cocoon PFO*** device size
Less than 9 mm	Do not implant
Between 9 and 12.4 mm	CPF18
Between 12.5 and 14.9 mm	CPF25
	CPF2525
Between 15 and 17.4 mm	CPF3025
	CPF30
More or equal to 17.5 mm	CPF35

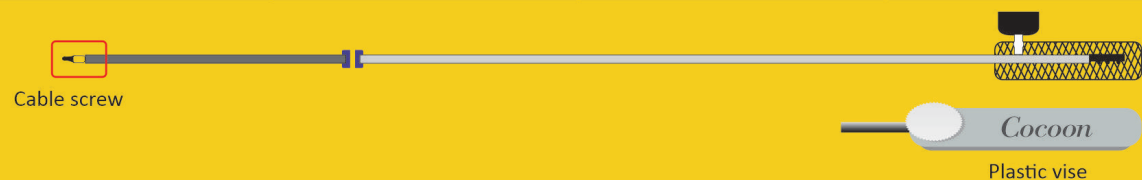
Consider shortest distance from defect to aortic root or distance from defect to superior vena cava orifice (mm)

Usable length (cm)

	8F	9F
Sheath	78	78
Dilator	83	83
Loader	10	12

Delivery Cable

Catalog number	Profile	Length	Size
CDC6F	0.077"	117 cm	6F



PFO Occluder No COMPROMISE

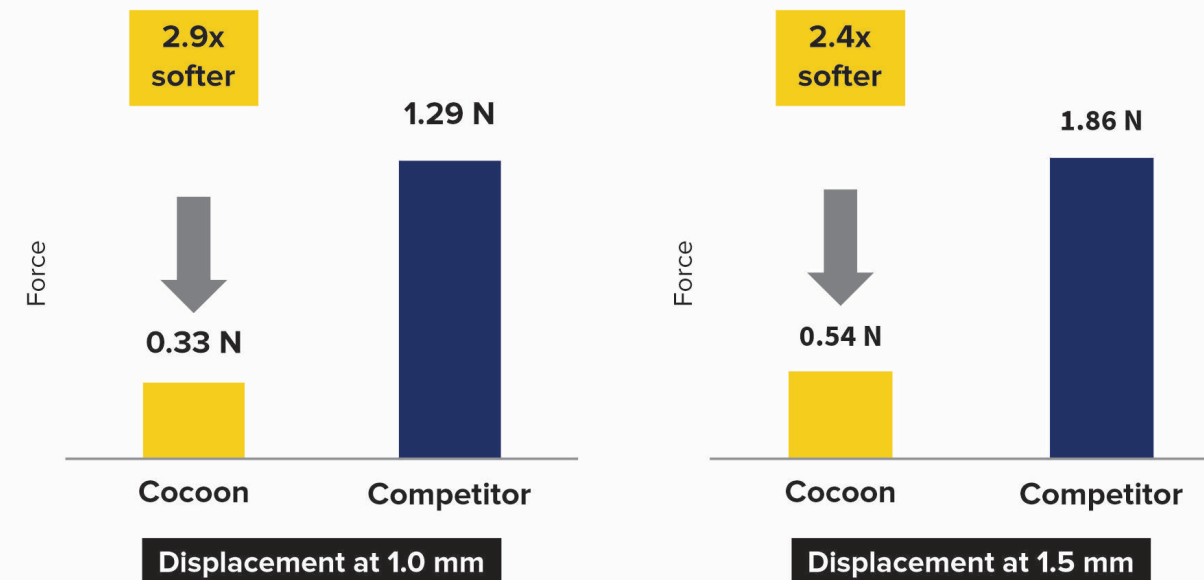
Extensive size matrix so that there is no compromise

6 SKUs (vs 4 SKUs of the competitor)

Cocoon PFO Occluder Total SKUs = 6		18/18	25/18		25/25	30/25		30/30	35/25	
Amplatzer PFO Occluder (Abbott) Total SKUs = 3		18/18	25/18		25/25	30/25		30/30	35/25	
Amplatzer Talisman PFO Occluder Total SKUs = 4		18/18	25/18		25/25	30/25		30/30	35/25	
Occlutech PFO Occluder Total SKUs = 4	18/16			25/23			30/27			35/31
Cera PFO Occluder (Lifetech) Total SKUs = 6		18/18	25/18		25/25	30/25		30/30	35/25	
CeraFlex PFO Occluder (Lifetech) Total SKUs = 6		18/18	25/18		25/25	30/25		30/30	35/25	

Softness to protect*

2+ times softer at the rims





PFO Occluder No COMPROMISE

**5 out of 6 occluders
are
8F sheath compatible**

Occluder Brand	Sheath Compatibility (No. of SKUs)						
	7F	8F	9F	10F	11F	12F	14F
Cocoon PFO Occluder Total SKUs = 6		5	1				
Amplatzer PFO Occluder Total SKUs = 3		2	1				
Amplatzer Talisman PFO Occluder Total SKUs = 4		2	2				
Occlutech PFO Occluder Total SKUs = 4	1		2		1		
Cera PFO Occluder Total SKUs = 6		1	2	2			1
CeraFlex PFO Occluder Total SKUs = 6			1	2		2	1

**5 out of 6 occluders
are
8F sheath compatible**

Cocoon PFO Occluder Total SKUs = 6		18/18 8F	25/18 8F		25/25 8F	30/25 8F		30/30 8F	35/25 9F	
Amplatzer PFO Occluder (Abbott) Total SKUs = 3		18/18 8F	25/18 8F						35/25 9F	
Amplatzer Talisman PFO Occluder Total SKUs = 4		18/18 8F	25/18 8F			30/25 9F			35/25 9F	
Occlutech PFO Occluder Total SKUs = 4	18/16 7F			25/23 9F			30/27 9F			35/31 11F
Cera PFO Occluder (Lifetech) Total SKUs = 6		18/18 8F	25/18 9F		25/25 9F	30/25 10F		30/30 10F	35/25 14F	
CeraFlex PFO Occluder (Lifetech) Total SKUs = 6		18/18 9F	25/18 10F		25/25 10F	30/25 12F		30/30 12F	35/25 14F	

7F
 8F
 9F
 10F
 11F
 12F
 14F

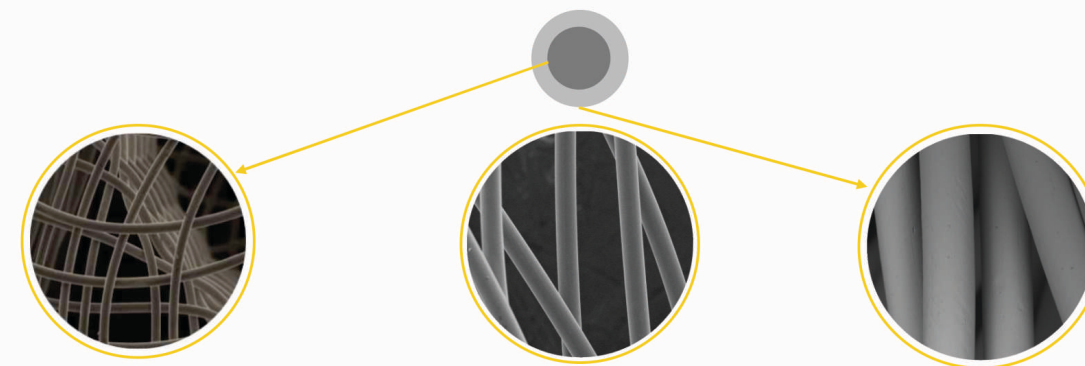
Colours used to highlight sheath size are only for aesthetic purpose and do not represent actual sheath colour coding.



PFO Occluder No COMPROMISE

**Designed to minimize nickel leaching
Platinum coating**

- Ultrathin layer of **Platinum atoms** using **nanofusion technology** is coated on the Nitinol wire by a process called plasma deposition
- **Platinum** coating makes the Cocoon Occluders inert, biocompatible, non-corrosive and non-allergic and also enhances radiopacity



Raw nitinol

Electropolished

Platinum coating

Platinum coating makes Cocoon Occluders:

Biocompatible

Non-corrosive

Non-allergic

More radiopaque